

FALCON SQUAD



Product Information

FALCON SQUAD is a full-cycle top-lighting solution for commercial horticulture cultivation, with the power to scale from vegetative growth to bloom. The spectrum can be customized according to customer requirements.

Features

- ✓ High power, High efficiency (2.4~2.8umol/J) , high output
- ✓ 5 year warranty
- ✓ Strategic diode placement increases uniformity of light delivery to canopy
- ✓ Light Output Control to precisely control PPF output when paired with controller
- ✓ Low profile maximizes vertical growing space with remote capable drive
- ✓ IP54 wet location rated protection for leds



Life time

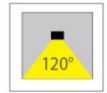


50000H

5 YEARS



Beam angle



120°

Dimmer inside



Instant on



IP level



IP54



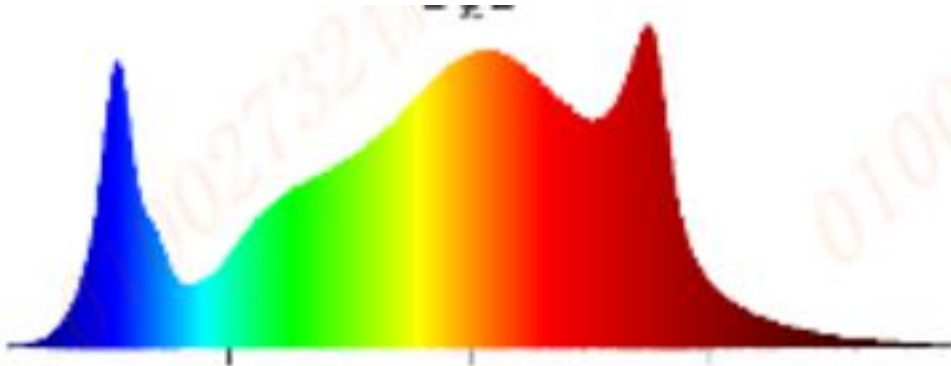
Q90



Exploded Drawing

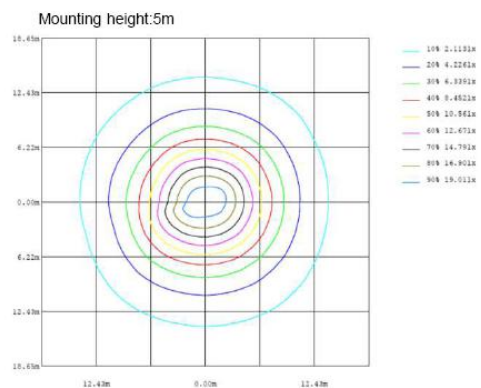
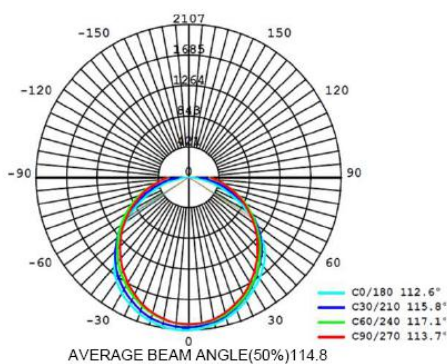


Spectra



SP Spectrum / Application :

Spectrum indoor is efficient for rapid growing of marijuana's full phase, Spectrum indoor is higher in red spectral content than Spectrum outdoor .



Parameter

Technical specifications(Ta=25°C)

Model	
Spectrum	SP2
Light Output PPF	2170umol/s
Efficacy@120V AC	2.8umol/J
Input Power@120V AC	778 W
Weight	26.5lb
AC Input Voltage	120-277V/ 50/60Hz
Thermal Management	Passive
Dimming	0~10V / Source
Driver	IP67 driver
Power Factor	≥0.995
THD	≤10%
Beam angle	120°
Max. Ambient Temperature	95°F / 35°C
IP Rating	IP54
Mounting Height	1' – 2' (30cm~60cm) Above Canopy
Tent	4x4 ft – 5x5 ft/ 1.2x1.2 m – 1.5x1.5 m
Average Lifespan Ta25°C	Q90: >50,000 hours
Warranty	5 years
Standard	UL8800 、UL1598 、DLC 、CE

*Note : 1) PPF tolerance ±5%.
2) The above data are tested by Sanan instruments.

Nominal Electrical AC Input*

AC VOLTAGE	120V	230V	240V	277V
AC Current	6.48A	3.27A	3.14A	2.75A
AC Power	777W	747W	746W	743W
Power Factor	0.99	0.99	0.99	0.98

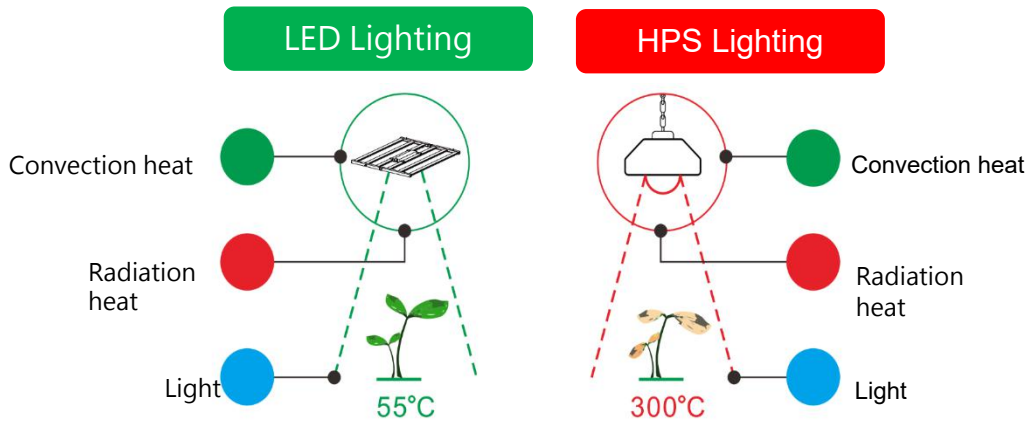
*Note : At 77 °F(25°C) ambient temperature

*Please contact your Fulton representative to order products that don't have order codes listed here or any info required

*Due to continuing product improvements, Fulton Lighting reserves the right to change the specifications without notice.

Energy Balance

Delivers 15% more light with 35% less power

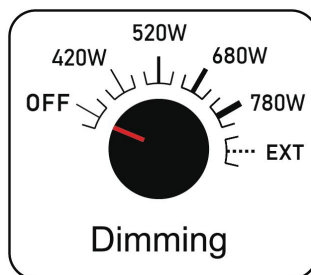


Dimming Solutions

Ability to ease plant transition from veg to flower stages. The system dimming knob can be used to lower the light output or turn the system off.

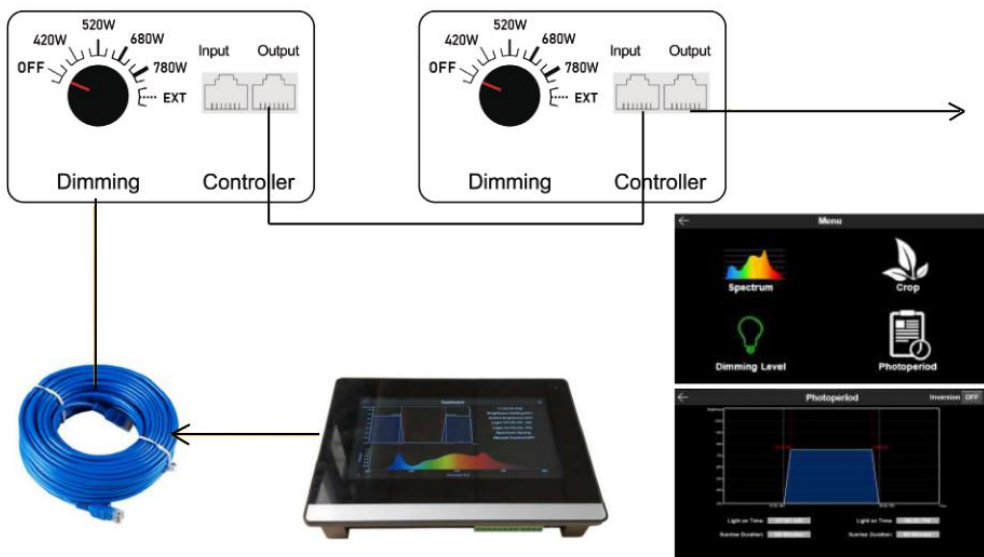
Single lamp control :

According to the different growth period of hemp, different light intensity was selected.

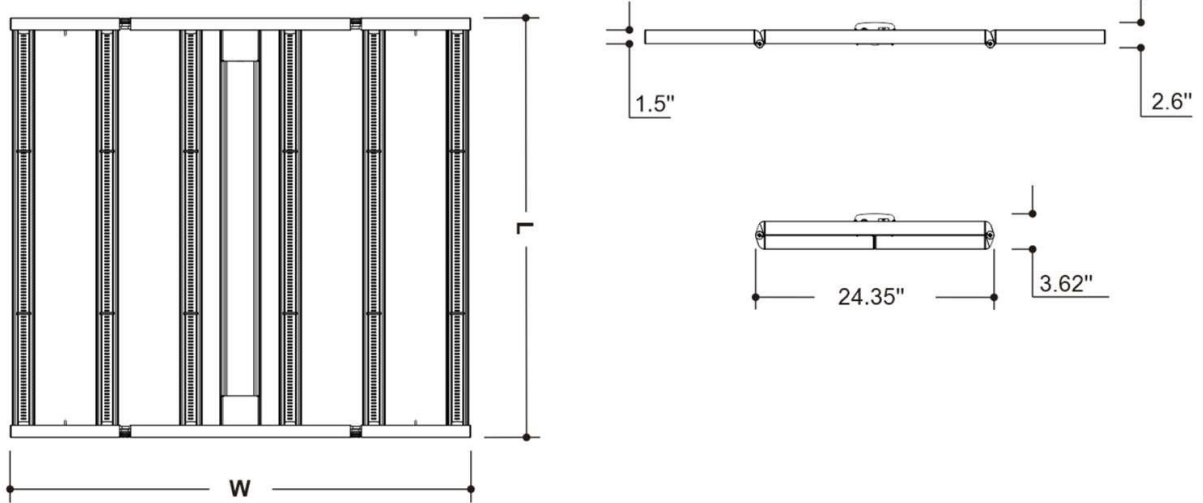


Networked control :

When the knob is in the EXT state, it can be networked to control the joint dimming of lamp and lanterns. The maximum number of network debugging lamps is less than 100.



Product Dimension

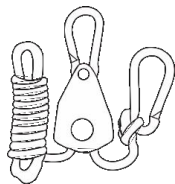


Item	Watts @Max	Dimension(L*W*H):inch		
	780W	47	42.8	2.2

Parts List



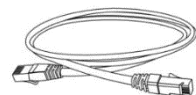
- A: G5-fixture
- B: Hanger (x2)
- C: 10 F AC cable (x1)
- D: 10 F Net cable (x1)



B



C



D

Caution

- Avoid direct eye exposure to the light source while it is on.
- Account for small parts and recycle or dispose of packing material properly.

Wiring diagram

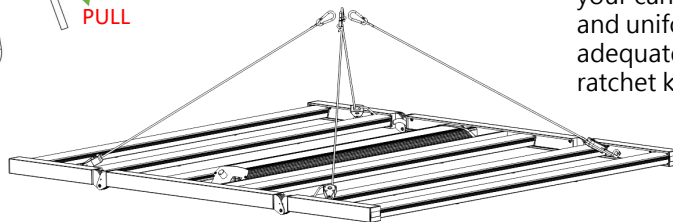
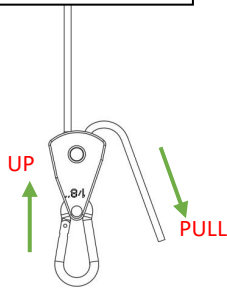
Cautions:

Before installation, be sure to cut off electricity to avoid electric shock. This is one end wiring LED grow light with build-in driver. Powered by the voltage labeled on the LED grow light, no need to add other drivers.

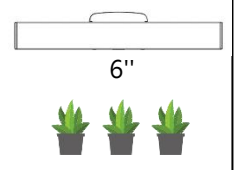
Operation Notes :

For use with a generator, line conditioning equipment to control input voltage must be used in order to avoid damage to fixture. Product is not designed to use with residential power strip. Failure to observe these warnings will result in void of warranty. Contact us for more information. Clean with a damp microfiber cloth.

Lamp adjustment



Mounting Height



*Mount the light bars at least 6" from the top of your canopy for optimal light efficiency and uniformity. Always allow for adequate ventilation of fixture. The rope ratchet kit provided with luminous.

Notice: 1F\3F No Fixed power

	<p>WARNING – POSSIBLE RISK OF INJURY TO EYES AND SKIN</p>
	<p>Hazardous optical UV, HEV, and IR radiation may be emitted from the light source. Always wear personal protective equipment ensuring complete shielding of skin and eyes. Avoid prolonged exposure and looking directly at light source.</p>

<p>Cable Harnesses Type</p>			
	<p>110~120V</p>	<p>208~240V</p>	<p>277V</p>

APPLICATIONS:

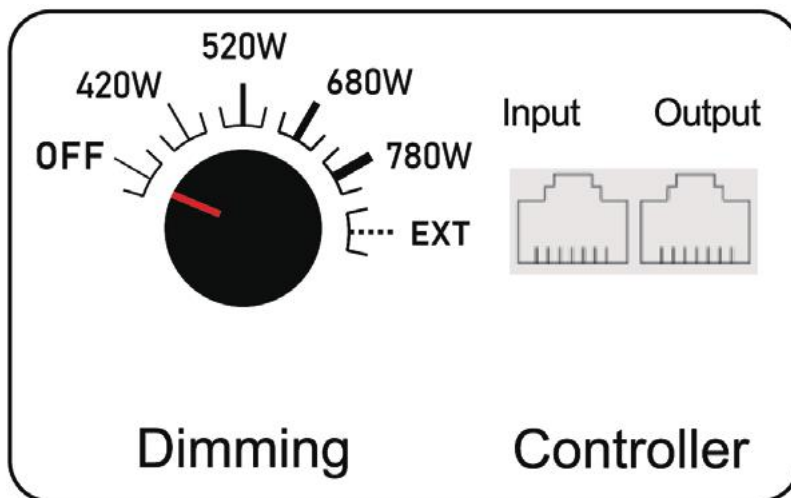
- Cannabis cultivation
- City farming
- Green-house



Dimming Solutions

Single lamp control : According to the different growth period of hemp, different light intensity was selected, see picture 1. If you use the LED fixture stand alone, 6-Section knob switch:

- ✓ EXT: Switch to controller networking dimming. At this time, the single lamp dimming failure.
- ✓ OFF: Lights off.
- ✓ 420W / 520W / 680W / 780W: Dimming level.



Picture 1

Connecting multiple LED fixtures to a controller

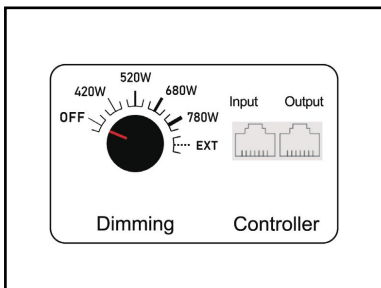
- Warning!** Mounting and installing of the E-series adapter(s) may only be executed by certified service personnel, in accordance with the applicable local laws and regulations.
- Warning!** The installer is responsible for correct and safe installation.
- Warning!** Ensure the local cabling can support the voltage and current requirements of the LED fixture and E-series adapter.
- Warning!** Avoid coiled cords and keep mains leads separated. This prevents electromagnetic interference.
- Warning!** Do not connect or disconnect the LED fixture under load.

Preparation for use with a controller Using a daisy chain setup, a maximum of 80 GL-series lamps can be connected to one controller. Up to 500 GL-series lamps per daisy chain can be connected when using splitters. See the manual of the controller.

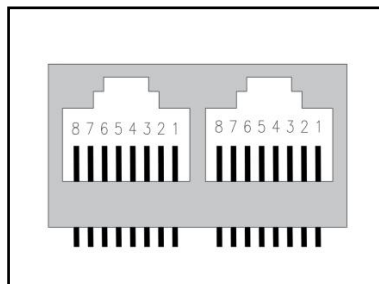
Connecting up to 60 GL-series lamps

Remove the dummy plug from the input port on the LED controller · Keep the dummy in a safe place! The dummy is necessary to operate the main controller in standalone mode.

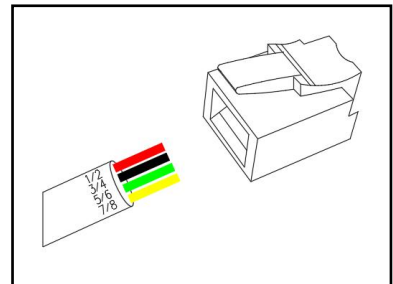
- ✓ Use the controller cable (RJ45 - RJ9) to connect the controller output port on the main controller.
- ✓ Use interconnect cable (RJ45 - RJ45) to connect the output port of distract controller to the input port of the first lamp control panel. see Picture 2.
- ✓ Use interconnect cable (RJ45 - RJ45) to connect the output port of the first lamp control panel to the input port of the second lamp control panel.
- ✓ Repeat these steps to connect up to 60 GL-series lamps. see picture 4.
- ✓ Pin Description: Pin 1 and 2 / DC12V+, red line; Pin 3 and 4 / DC12V-, black line; Pin 5 and 6 / Dim-, green line; Pin 7 and 8 / Dim+, yellow line; see picture 3 and picture 4



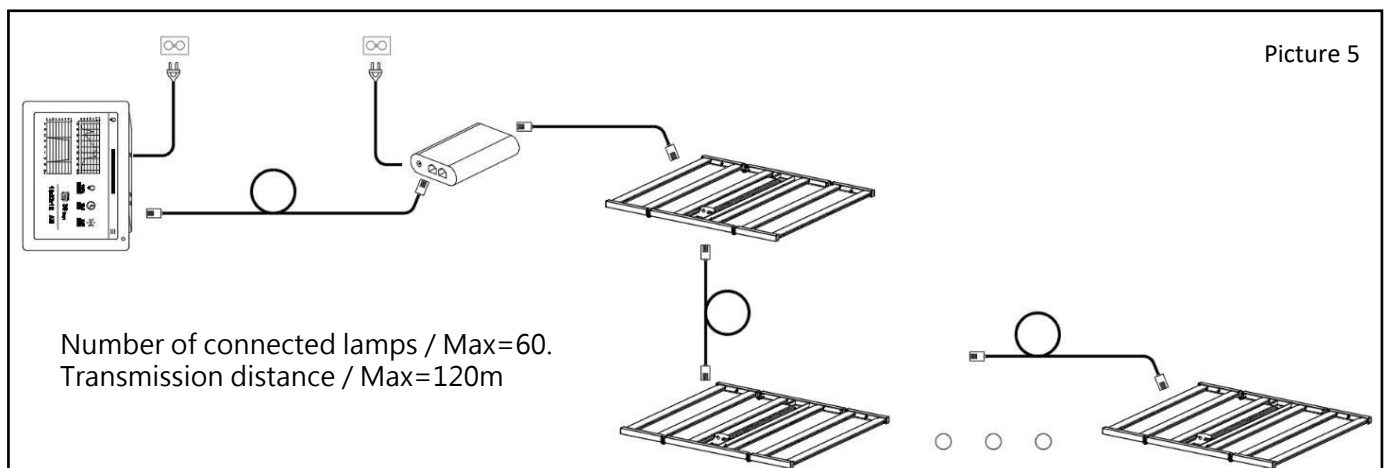
Picture 2



Picture 3



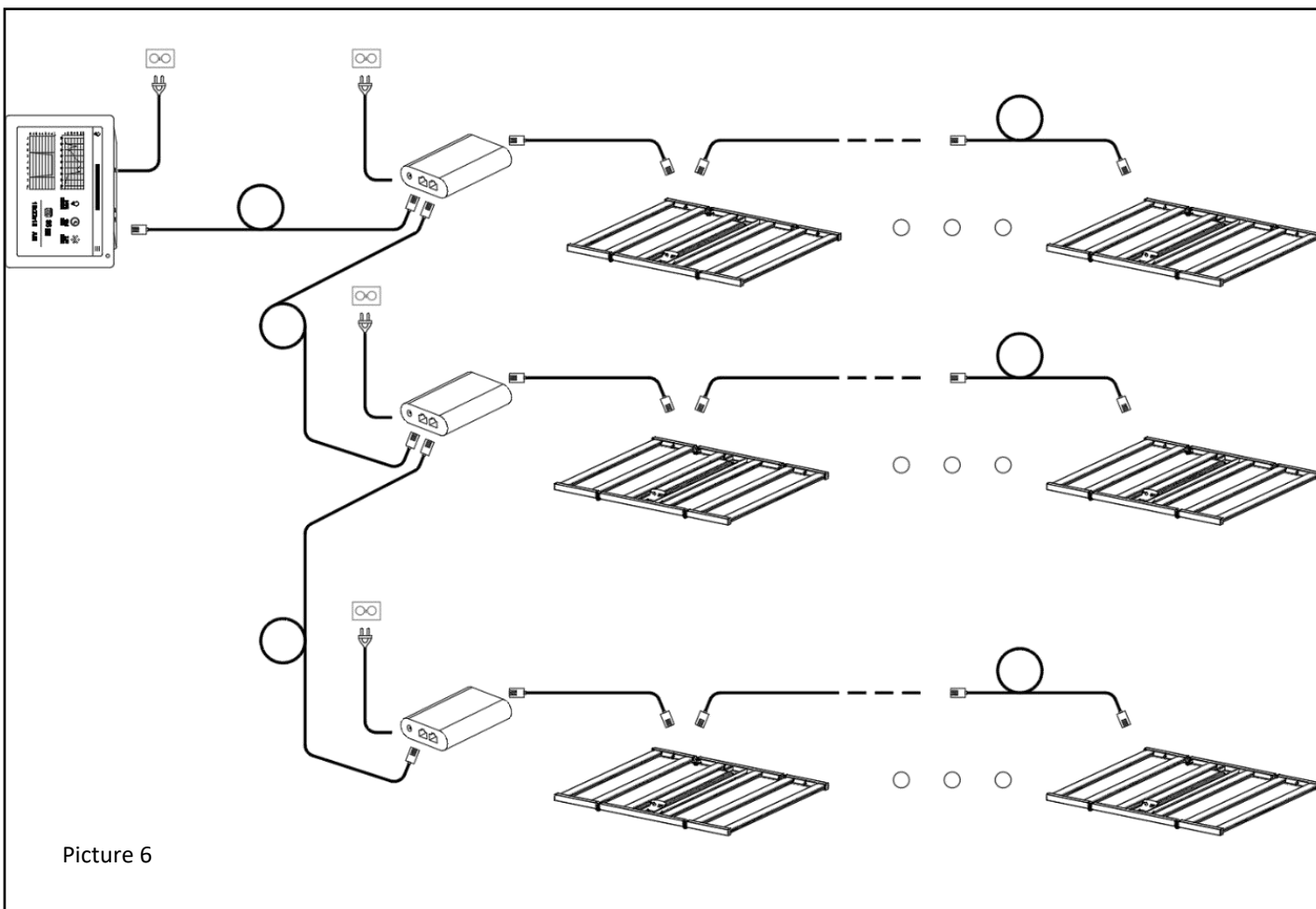
Picture 4



Picture 5

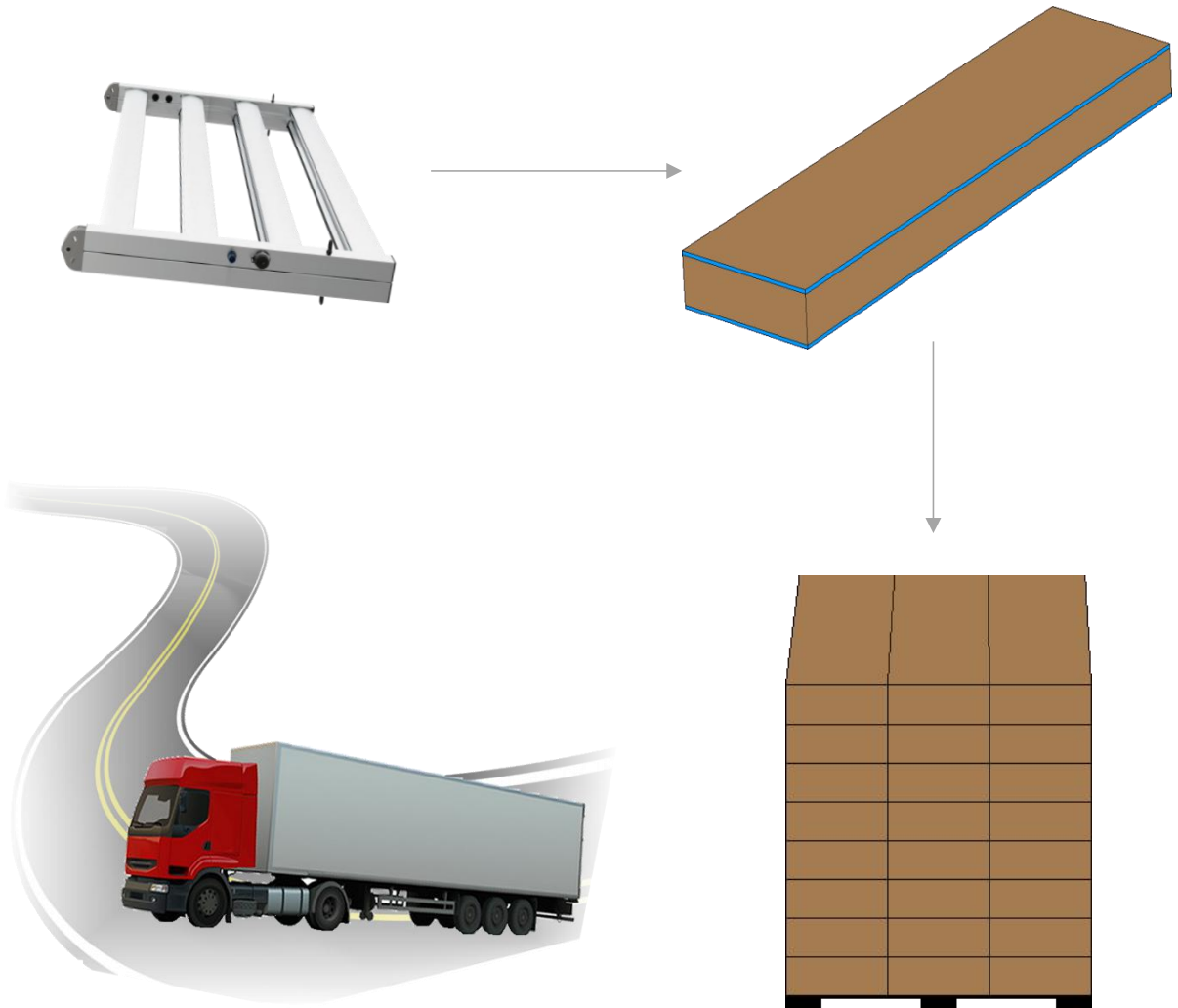
Connecting up to 500 or 1000 GL-series lamps

- ✓ Use the controller cable (RJ45 - RJ9) to connect the primary channel of the controller to the input port of the first distract controller.
- ✓ Use the controller cable (RJ45 - RJ9) to connect the first channel of distract controller to the input port of the first distract controller.
- ✓ Repeat these steps to connect up to 500 GL-series lamps. see picture 5



Picture 6

Package



Part No.	Q' ty /CTN	Outer Carton Size(mm)	N.W./kg	G.W./kg	20'	40'	40' HQ
	1	1150*680*140	12	15.4	236pcs	518pcs	594pcs

Remark: the data is estimated and just for reference